

These products are manufactured at a factory which has received quality control system certification in accordance with the ISO international standards.

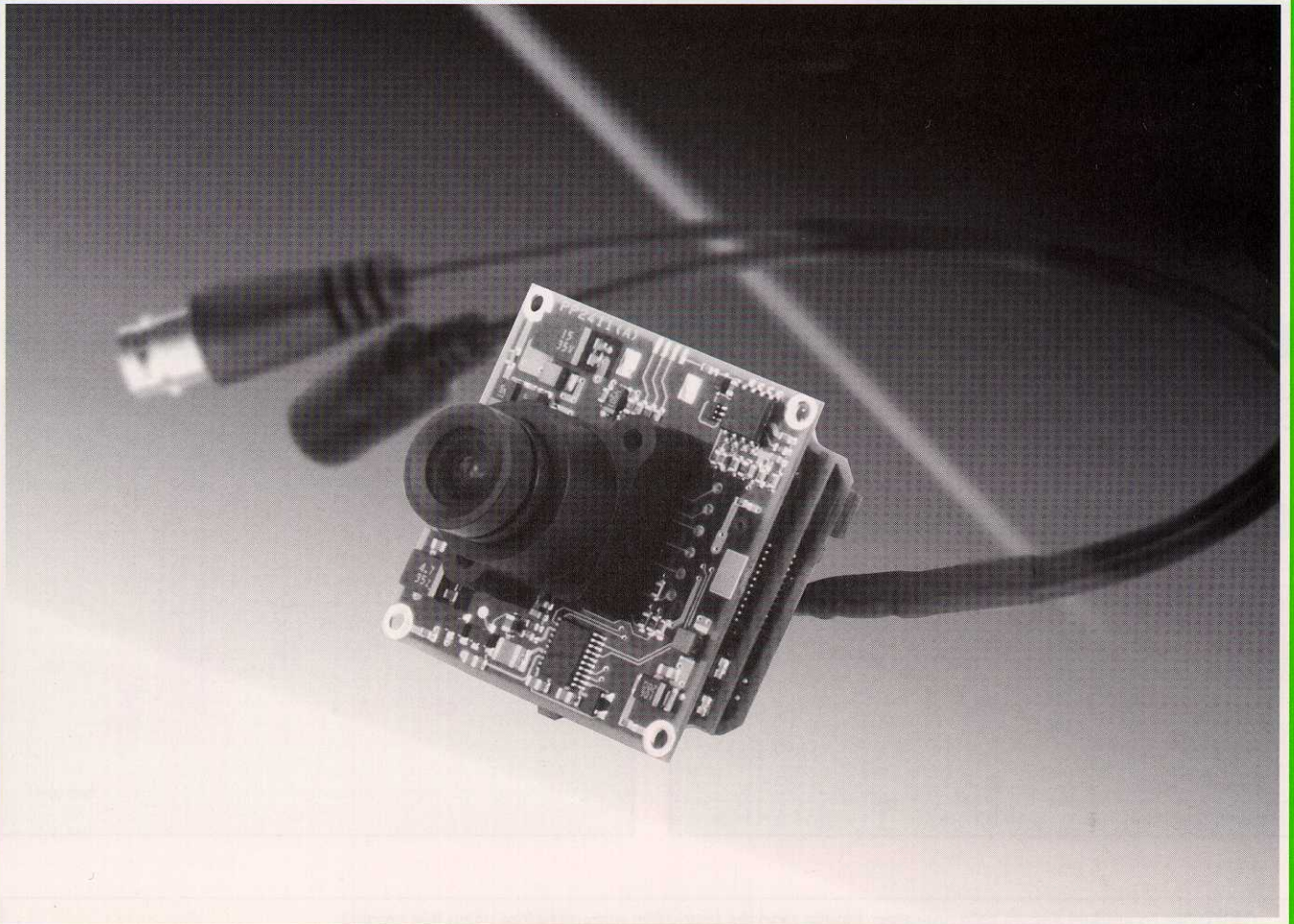


CERTIFICATE No.
JMI-0062
ISO 9001-1994
BS EN ISO 9001-1994
EN-ISO 9001-1994
JIS Z9901-1994

HITACHI

Color Board Camera

BE-D20CN/CP (1/3-inch CCD)



The Hitachi BE-D20CN/CP is a color board camera using a 1/3-inch CCD sensor. The BE-D20CN/CP features ultra small size and light weight and is most suitable for installing in various application systems.

Features

- High resolution by using a 400,000-pixel CCD sensor
- High quality picture ensured by the use of 10-bit digital signal processor
- Optical filter and exclusive lens equipped as standard (optional lenses available)

Specifications

Imaging device	1/3" inter-line CCD	Backlight correction	Initial setting : OFF (Settable to ON by changing a chip component) Available when an auto electronic shutter and a DC-driven auto iris lens are used.
Total pixels	NTSC 811(H)×508(V)	PAL 795(H)×596(V)	White balance control
Effective pixels	768(H)×494(V)	752(H)×582(V)	
Sensing area	4.9(H)×3.7(V)	4.9(H)×3.6(V)	
Signal format	NTSC, PAL	Initial setting : ATW (Settable to OFF by changing a chip component)	ATW : Automatic tracking mode Color temperature range : 2500 to 8000K
Scanning system	2:1 interlaced		
Scanning frequency	NTSC Hor. Vert.	PAL 15.625kHz 50Hz	
Resolution (at center)	NTSC : 460TVL (H)/350TVL (V) PAL : 460TVL (H)/350TVL (V)	Lens mount	Exclusive lens mount
Signal-to-noise ratio	50dB (AGC=OFF, contour correction=ON)	Specifications of standard lens	Focal distance : 2.5mm Aperture : 2.0mm Visual angle Diagonal (deg.) : 153.9 Horizontal (deg.) : 115.5 Vertical (deg.) : 83.8 Dimensions (mm) : ϕ 16.0×15.6
Minimum illumination	4.5lux (f/2.0, 3200K, max. AGC)		
Illumination range	4.5 to 100,000lux (f/2.0, AES=ON, AGC=ON)		
Signal processing system	Digital signal processing (Input:10-bit/output:8-bit)		
Video signal output	VBS : 1.0Vp-p / 75 Ω		
Sync system	Internal sync		
Auto electronic shutter	Initial setting : OFF (Settable to OFF by changing a chip component) In ON mode, shutter speed =OFF (NTSC : 1/60 to 1/180,000s) (PAL : 1/50 to 1/180,000s)	Operating conditions	- 5 to 45°C / 90% RH or less
Electronic shutter (Flickerless)	Initial setting : OFF (Settable to ON by changing a chip component)	Storage conditions	- 10 to 60°C / 70% RH or less
		Power supply	12VDC \pm 1V
		Power consumption	130mA approx.
		Dimensions	42(W)×42(H)×45(D)mm (incl. lens)
		Mass	60g approx. (incl. lens and cable)

Standard composition

Camera.....	1
Cable.....	1

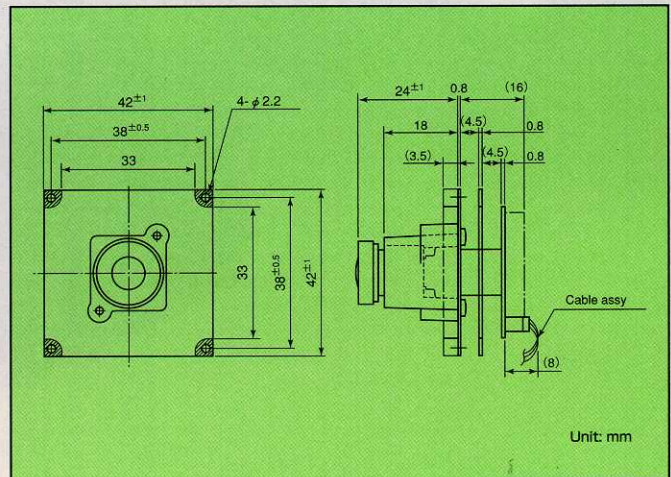
(with ϕ 5.5x ϕ 2.1 DC jack and BNC receptacle)

Optional accessories

Lenses

Focal distance (mm)	3.8	6.0
Aperture	2.0	2.5
Visual angle		
Diagonal (deg.)	90.0	57.8
Horizontal (deg.)	71.5	45.7
Vertical (deg.)	53.4	34.0
Dimensions (mm)	ϕ 14.0×16.7	ϕ 14.0×14.9

Dimensions



CAUTION: To product ensure safe operation, please read the instruction manual before using this product.

These Specifications are subject to change without notice.

 Hitachi Denshi, Ltd.

HITACHI DENSHI (Europa) GmbH

Weiskircher Str. 88

63110 Rodgau, Germany

T. 06106-6992-0

Fax 06106-16906

<http://www.hitachi-denshi.de>

e-mail: webmaster@hitachi-denshi.de